



Video Editing SAN Project



HP-Sanbolic SAN for Adobe Premiere Customer

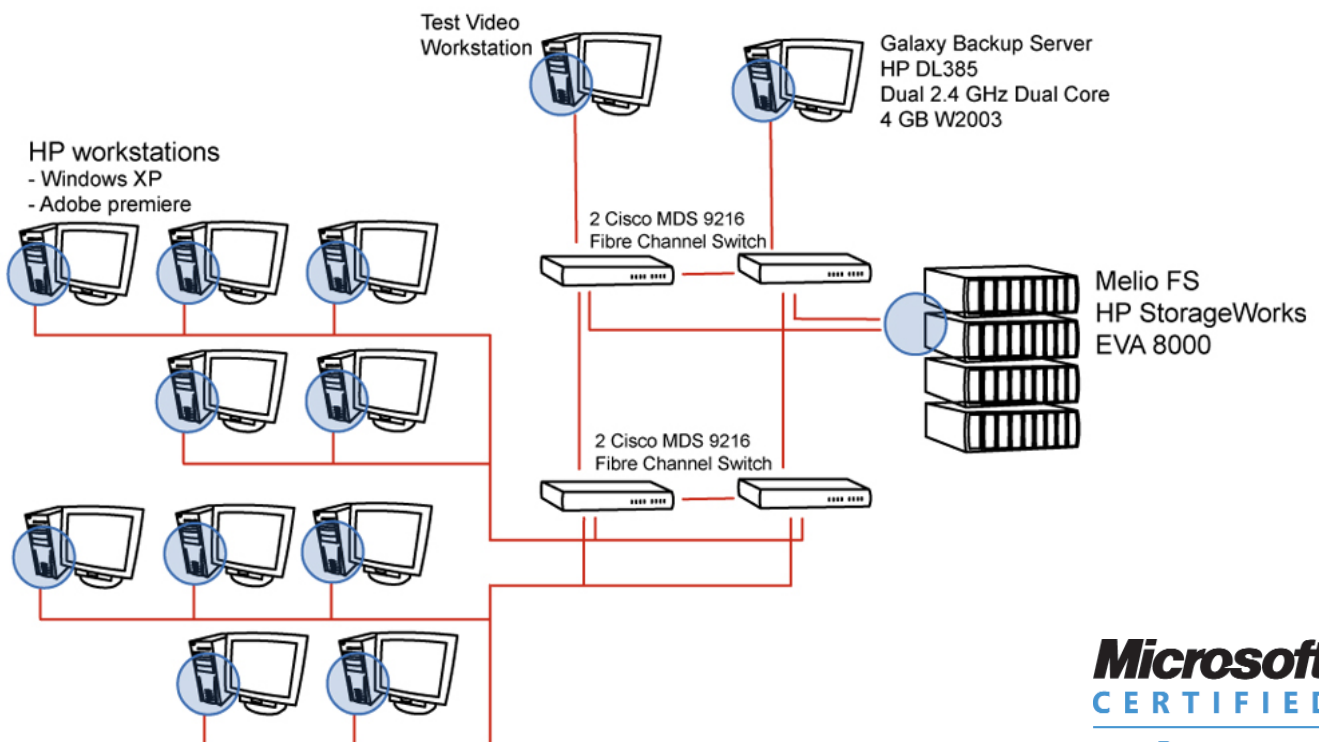
Business Challenge

Prismworks Technology, Inc., a leading provider of Network Integration, won a competitive bid to implement a state-of-art NLE (Non Linear Editing) SAN deployment at a government location. Their customer needed the ability to provide multiple editing systems access to the same storage pool at the same time (read and write).

Solution

The shared SAN project was designed to improve workflow efficiency. The installation includes a total HP storage solution with an EVA8000 High Performance storage array and twelve XW8200 workstations along with Sanbolic's Melio clustered file system (Melio FS) and LaScala volume manager software. Sanbolic's Melio FS provides editors concurrent read and write access to a shared storage pool. Simultaneous access improves workflow efficiency, increases storage efficiency, and reduces overhead by reducing time needed to move assets. Editors can pick up a project at will, and share in the development without moving the project file or having to move offices.

The SAN workflow efficiency provides a significant savings over the cost of traditional standalone editing workstations with local storage. "We bring extensive experience in solving unique IT challenges and we have brought real workflow benefits as a result of using Sanbolic's Melio FS (Clustered File Sharing Software) and LaScala Volume Manager, Sanbolic is a compelling component to the overall SAN solution" Mark Crescenzi, Prismworks Technology, Senior Consultant Engineer.



Microsoft
CERTIFIED
Partner